

## XR Style HPT Nozzles

High Pressure Turret Nozzles



**LOC-LINE**  
THE ORIGINAL MODULAR HOSE SYSTEM

XR Style HPT Nozzles feature an extended range of motion of the nozzles

All packages with nozzle lengths greater than .000 contain an adjustment lever to aid in easy and accurate aiming of the nozzle. Nozzles with a length of .000 may be adjusted by inserting an appropriately sized allen wrench.

### General Features:

Turret rotates independently of the nut for full range of motion

### Material:

Acetal Body/Stainless steel nozzle

### Max Pressure:

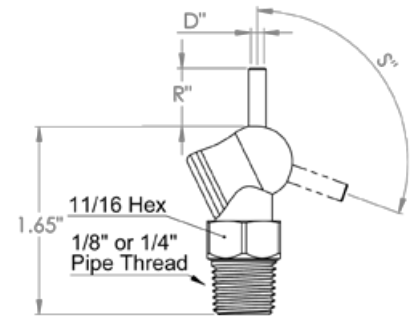
1,000Psi/69Bar

### Max Temperature:

115F/46C



Adjustment lever



### XR Style HPT Nozzles

2 pc Pack Product ID	10 pc Pack Product ID	Thread Size	Hole Diameter (D) "	Reach (R) "	Swing (S)	Hole Diameter (D) mm	Reach (R) mm
LL72040	LL79040	1/8"	0.062	.000	110 Deg	1.6	0.0
LL72041	LL79041	1/8"	0.062	.250	110 Deg	1.6	6.4
LL72042	LL79042	1/8"	0.062	.500	110 Deg	1.6	12.7
LL72043	LL79043	1/8"	0.062	1.250	110 Deg	1.6	31.8
LL72044	LL79044	1/8"	0.086	.000	110 Deg	2.2	0.0
LL72045	LL79045	1/8"	0.086	.250	110 Deg	2.2	6.4
LL72046	LL79046	1/8"	0.086	.500	110 Deg	2.2	12.7
LL72047	LL79047	1/8"	0.086	1.250	110 Deg	2.2	31.8
LL72048	LL79048	1/8"	0.117	.000	110 Deg	3.0	0.0
LL72049	LL79049	1/8"	0.117	.250	110 Deg	3.0	6.4
LL72050	LL79050	1/8"	0.117	.500	110 Deg	3.0	12.7
LL72051	LL79051	1/8"	0.117	1.250	110 Deg	3.0	31.8
LL72052	LL79052	1/8"	.160	.000	102 Deg	4.1	0.0
LL72053	LL79053	1/8"	.160	.250	102 Deg	4.1	6.4
LL72054	LL79054	1/8"	.160	.500	102 Deg	4.1	12.7
LL72055	LL79055	1/8"	.160	1.250	102 Deg	4.1	31.8
LL72080	LL79080	1/4"	0.062	.000	110 Deg	1.6	0.0
LL72081	LL79081	1/4"	0.062	.250	110 Deg	1.6	6.4
LL72082	LL79082	1/4"	0.062	.500	110 Deg	1.6	12.7
LL72083	LL79083	1/4"	0.062	1.250	110 Deg	1.6	31.8
LL72084	LL79084	1/4"	0.086	.000	110 Deg	2.2	0.0
LL72085	LL79085	1/4"	0.086	.250	110 Deg	2.2	6.4
LL72086	LL79086	1/4"	0.086	.500	110 Deg	2.2	12.7
LL72087	LL79087	1/4"	0.086	1.250	110 Deg	2.2	31.8
LL72088	LL79088	1/4"	0.117	.000	110 Deg	3.0	0.0
LL72089	LL79089	1/4"	0.117	.250	110 Deg	3.0	6.4
LL72090	LL79090	1/4"	0.117	.500	110 Deg	3.0	12.7
LL72091	LL79091	1/4"	0.117	1.250	110 Deg	3.0	31.8
LL72092	LL79092	1/4"	.160	.000	102 Deg	4.1	0.0
LL72093	LL79093	1/4"	.160	.250	102 Deg	4.1	6.4
LL72094	LL79094	1/4"	.160	.500	102 Deg	4.1	12.7
LL72095	LL79095	1/4"	.160	1.250	102 Deg	4.1	31.8

### Additional Levers

2 pc Pack Product ID	10 pc Pack Product ID
LL72000	LL79000

### Black or Grey HPT Nozzles

10pc packages of HPT Nozzles are also available in black or grey by special order. Please contact the Filtermist Sales Office for further details.

### Sales Enquiries

T: +44 (0)1746 765361 F: +44 (0)1746 767807 E: sales@filtermist.com

[www.filtermist.co.uk](http://www.filtermist.co.uk)